

Card Edge Connector for PS-302

Date: 7/1/92

Approved by:

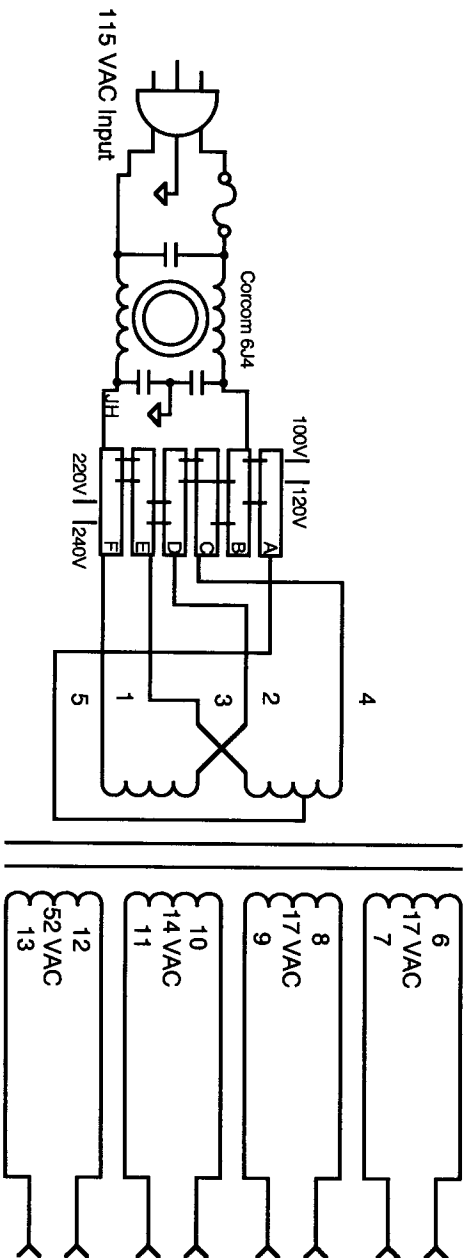
Drawn by: RDF

Scale: NTS

*6/17/92*

Drawing Number:

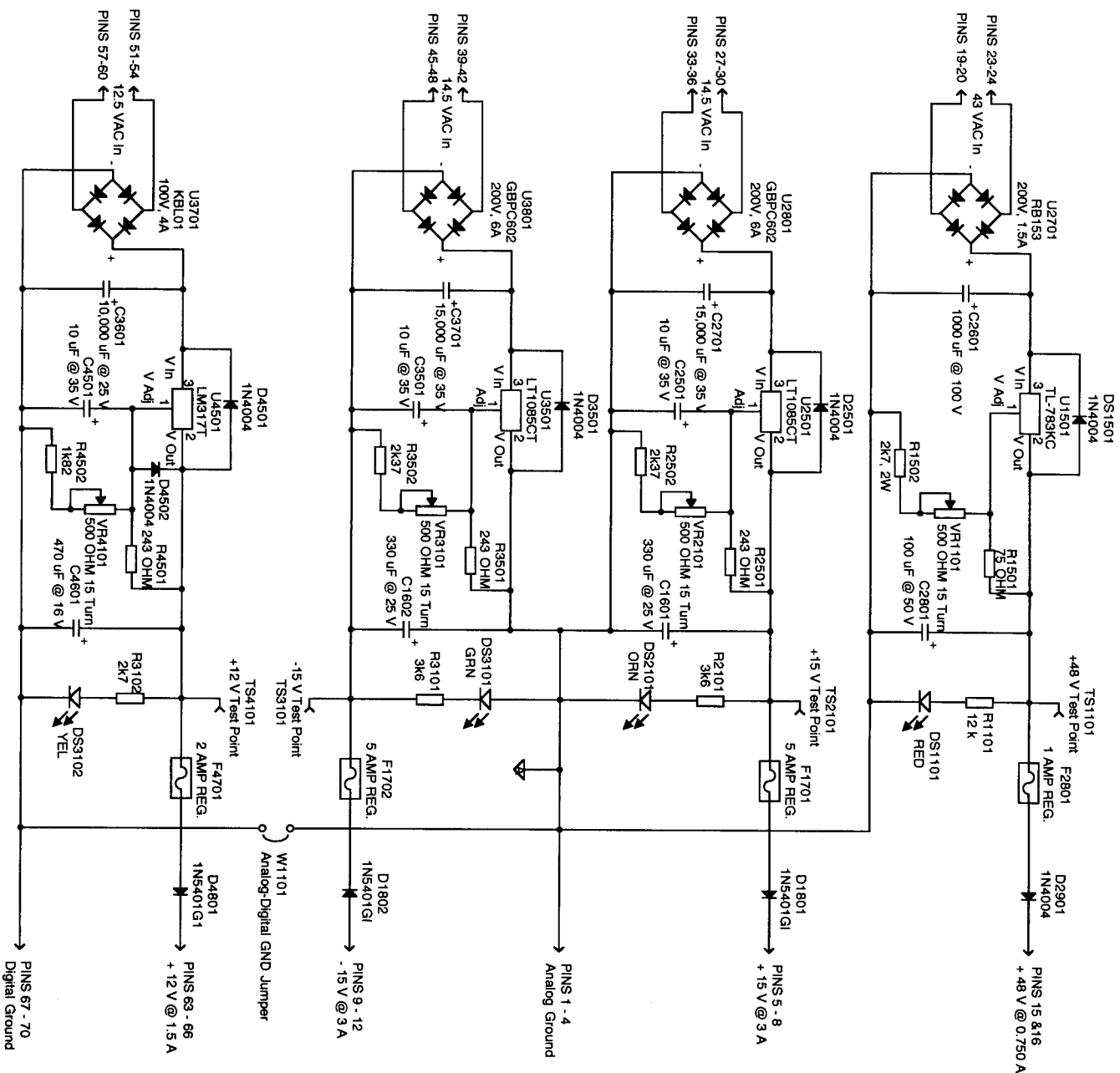
350056



To PSI-70 Module and  
Card Edge Mating Connector

**BENCHMARK MEDIA SYSTEMS, INC.**  
**PS-302 Transformer Assembly**

Scale:	100%	Checked By:	
Date:	March 31, 1992	Drawn By:	Allen H. Burdick
		Drawing #:	
		Assembly #:	
<b>A Schematic</b>			



NOTES:  
 1. TRANSFORMER AS SEPARATE EXTERNAL MODULE.

**BENCHMARK MEDIA SYSTEMS, INC.**

**PS-302 Regulator Module**

Order # NA  
 Date: April 5, 1982  
 Schematic

Designed By: Allen H. Burdick  
 Drawing #: 450703  
 Approved #: 500-02301-000